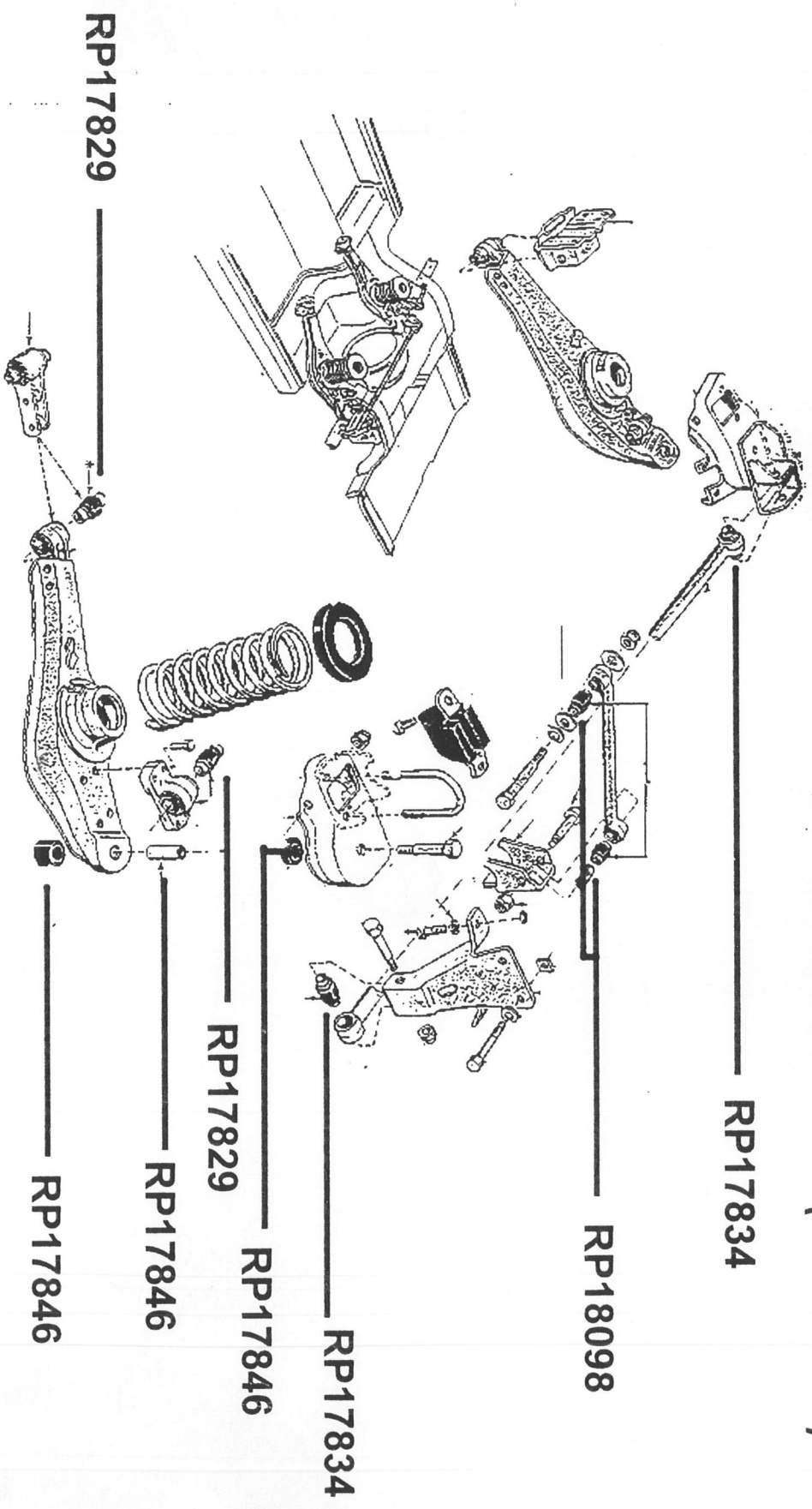


1958 FORD THUNDERBIRD REAR SUSPENSION KIT (RP18109)



COMPLETE REAR SUSPENSION KIT RP18109 CONSISTS OF

UPPER CONTROL ARM BUSHINGS RP18098 X 1 PER CAR

LOWER CONTROL ARM BUSHINGS RP17829 X 2 PER CAR

TRACK BAR BUSHINGS RP17834 X 1 PER CAR

INSULATOR KIT RP17846 X 1 PER CAR